

EXTERNAL LUBRICATING SPRAYER

To mold tablets, it is required to mix a small amount of lubricator with the main ingredient and excipient beforehand in order to suppress the difficulty in tablet-molding, but it is known that it has a bad effect on hardness and disintegration of tablets. This apparatus enables production of tablets free of internal moisturizer, by directly spraying the moisturizer to the upper and lower pestles and mortars to coat the powder contact surface with it.

Characteristics of Feeder

A feed rate increases/decreases in proportion to the rotor rpm, allowing you to easily adjust a spray rate. Stable feed is ensured. Lubricator Feeder.



EXTERNAL LUBRICATING SPRAYER

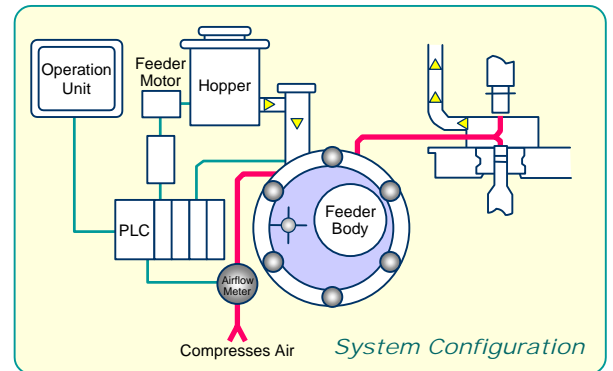
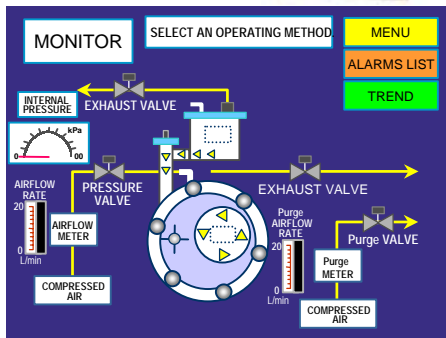
An accurate feed rate and high stability are required to feed the lubricator. This apparatus is capable of feeding a fine amount of lubricator in an accurate and stable manner through a fine-grooved charging feed rotor. A feed rate depends on the rotor rpm, providing high controllability.



Type

Effects of External Lubrication

Improved moldability	Fully exhibits the excipient's function.
Quick disintegrability	Water repellent lubricator coats only the tablet surface.
Less difficulty in tablet molding	Forms lubricator coating directly on the surfaces of the pestles and mortars.
Improved productivity	Requires no lubricator mixing process.
Reduced production cost	Greatly reduced amount of lubricator because it only coats the tablet surface.
Potentiality of new formulation	No effect of the moisturizer on the main ingredient.



Effects of External Lubrication

- Improved tablet hardness and reduced molding pressure.
- Shorter disintegration time.
- Improved lubrication performance.

Spray Unit

It is essential to the quality and characteristics of the products to minimize the amount of moisturizer adhered to the surface of the metal molds. Use of excessive moisturizer is not recommended from an economical viewpoint as well. By uniformly spraying the diluted moisturizer, this nozzle unit can equally apply it to the surface of the metal molds without overlapping to fully exhibit the performance of the moisturizer. An effective air purge system prevents scattering of powder dust through spray.

Options

- Multifunctional mechanism by a touch screen.
- Production data collection system.
- Feed rate monitor.

Technical Data Unit Configuration

Feed Units			
	TYPE	TYPE	TYPE
Feed system	Fine-grooved charging	Fine-grooved charging	Fine-grooved charging
Spray system	Air current	Air current	Air current
Rotor (rpm)	1 ~ 6	1 ~ 6	1 ~ 6
Feed rate(at g/h Mg-St spray)	8 ~ 120	8 ~ 120	8 ~ 120
Min. dispersed airflow rate (L/min n.t.p.)	12	12	12
Hopper capacity (g)	300	300	300
Weighing Trend display	-	-	w/digital scale
Operating section	Push button system	Touch screen system	Touch screen system
Power source	100 V AC, 600 VA	100 V AC, 600 VA	100 V AC, 600 VA
Min. compressed air feed (MPa)	0.6	0.6	0.6
Dimension (W × D × Hmm)	Approx. 500 × 500 × 1400	Approx. 800 × 575 × 1300	Approx. 800 × 575 × 1300
Weight (kg)	Approx. 100	Approx. 200	Approx. 220

Spray Unit	
Spray nozzle	Side spray system, one each for top and bottom
Applicable tablet diameter (mm)	6 ~ 16



Type



Type