

Powder Dispersion Sprayer

DISPA- μ R

High-accuracy micro feeding applicable to uniform spraying of monodisperse particles



DISPA- μ R



Spraying

Fine capillary feed system
for trace quantity spraying.

High-speed air flow system
for dispersed spraying.

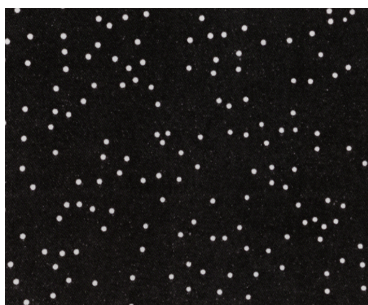
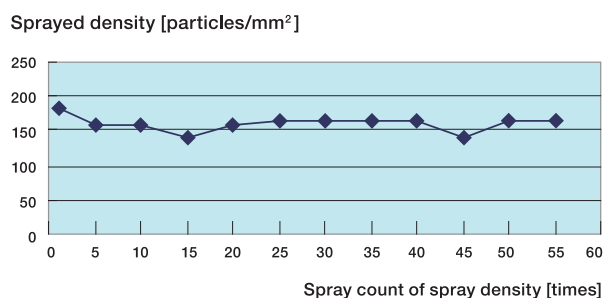
Unique sprayer nozzle for
improved uniformity.

Fine capillary feed system for trace quantity spraying. DISPA- μ R can supply the powder in a highly dispersed state in a high-speed air flow.

Application example 1 Dry Type Spacer Spraying Device

Spraying uniformity

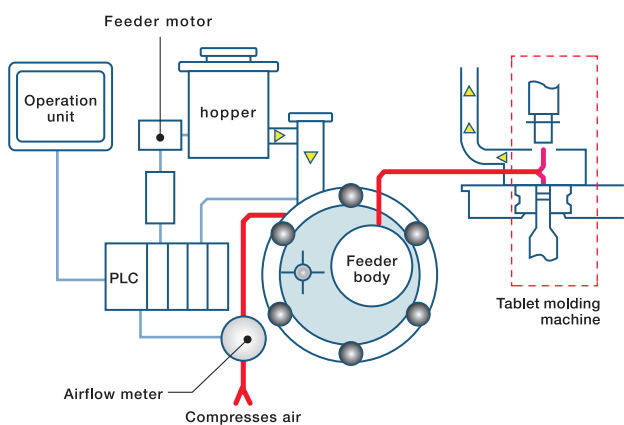
Spherical fine particles used as spacers between the two glass substrates in LCD displays can be spray uniformly.



Microscopic Photograph After Spraying
Example of spraying
Powder particle size 5 μ m
Powder material polymer particles

Application example 2 External Lubricating Sprayer

This apparatus enables production of tablets free of internal moisturizer, by directly spraying the moisturizer to the upper and lower pestles and mortars to coat the powder contact surface with it.



Specifications

Rotation speed of rotor [min ⁻¹]	Feed rate [mL/h]	Supply air pressure[MPa]	Spray air flow rate [L/min n.t.p]
2 ~ 8	2 ~ 100(Reference)	0.6	10 ~ 100